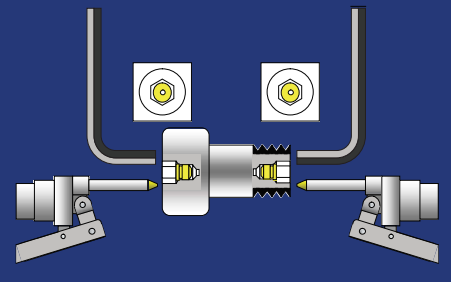


CAM FOLLOWERS

HEXAGON SOCKET ON BOTH SIDES
GREASE NIPPLE INSTALLED



CF..AB



CF..VAB

■ CF..AB TYPE

Stud diameter (mm)	h7 tolerance	Designation				Dimensions (mm)							
		Cylindrical outer ring		Crowned outer ring R500(CF10) CF18) R1000(CF20)		D	C	d	G	G1	B1	B2	
10	0 -0.015	CF10ABK	CF10UUABK	CF10RABK	CF10UURABK	22	12	10	M10×1	12	36	23	
		CF10VABK	CF10VUUABK	CF10VRABK	CF10VUURABK								
10	0 -0.015	CF10-1ABK	CF10-1UUABK	CF10-1RABK	CF10-1UURABK	26	12	10	M10×1	12	36	23	
		CF10-1VABK	CF10-1VUUABK	CF10-1VRABK	CF10-1VUURABK								
12	0 -0.018	CF12AB	CF12UUAB	CF12RAB	CF12UURAB	30	14	12	M12×1.5	13	40	25	
		CF12VAB	CF12VUUAB	CF12VRAB	CF12VUURAB								
12	0 -0.018	CF12-1AB	CF12-1UUAB	CF12-1RAB	CF12-1UURAB	32	14	12	M12×1.5	13	40	25	
		CF12-1VAB	CF12-1VUUAB	CF12-1VRAB	CF12-1VUURAB								
16	0 -0.018	CF16AB	CF16UUAB	CF16RAB	CF16UURAB	35	18	16	M16×1.5	17	52	32.5	
		CF16VAB	CF16VUUAB	CF16VRAB	CF16VUURAB								
18	0 -0.018	CF18AB	CF18UUAB	CF18RAB	CF18UURAB	40	20	18	M18×1.5	19	58	36.5	
		CF18VAB	CF18VUUAB	CF18VRAB	CF18VUURAB								
20	0 -0.021	CF20AB	CF20UUAB	CF20RAB	CF20UURAB	52	24	20	M20×1.5	21	66	40.5	
		CF20VAB	CF20VUUAB	CF20VRAB	CF20VUURAB								

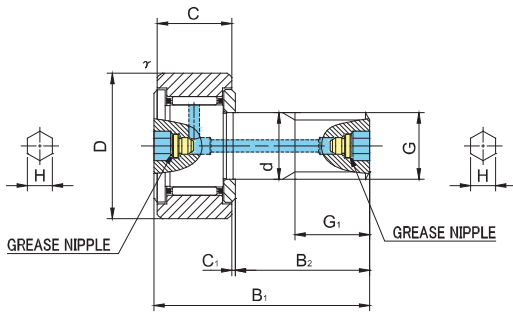
CF..AB TYPE has oil holes (grease nipple) which are prepared in the stud head and thread side, also an oil hole is prepared in the outer surface of stud.

* Without seals, suitable for grease lubrication. In case of oil lubrication, up to 130% of this value shall be permissible, and 70% of this value shall apply for types with seals.

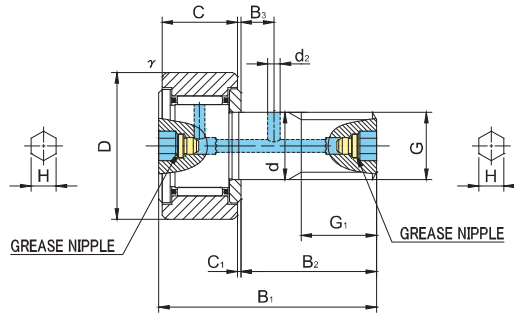
OUTER RINGS TOLERANCE (μm)

TYPE	Cylindrical outer ring	Crowned outer ring
CF10,CF10-1,CF12	0/-9	0/-50
CF12-1,CF16,CF18,CF20-1	0/-11	0/-50
CF20,CF24,CF24-1,CF30	0/-13	0/-50
CF30-1,CF30-2	0/-15	0/-50

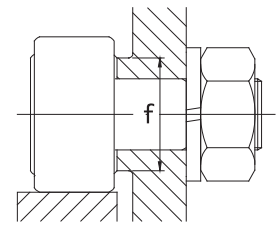




CF10(V)ABK~CF10-1(V)ABK



CF12(V)AB~CF18(V)AB



Prepacked Grease

						Basic dynamic load rating	Basic static load rating	Largest permissible load	Limiting speed *	Track load capacity		Max tightening torque	Mass
B3	C1	d2	H	r_s min	f min	Cr N	Cor N	N	rpm	Cylindrical outer ring N	Crowned outer ring N	N·m	g (approx)
—	0.6	—	5	0.3	15	5 390	6 860	6 860	17 000	4 700	1 670	15	45
						9 510	14 500	7 450	7 500				
—	0.6	—	5	0.3	15	5 390	6 860	6 860	17 000	5 490	2 060	15	60
						9 510	14 500	7 450	7 500				
6	0.6	3	6	0.6	20	7 940	9 800	9 800	14 000	7 060	2 450	22	95
						13 430	19 700	11 270	6 000				
6	0.6	3	6	0.6	20	7 940	9 800	9 800	14 000	7 450	2 740	22	105
						13 430	19 700	11 270	6 000				
8	0.8	3	6	0.6	24	12 050	18 330	18 330	10 000	11 200	3 140	58	170
						20 680	37 630	19 800	4 500				
8	0.8	3	6	1	26	14 700	25 200	25 200	8 500	14 400	3 720	87	250
						25 280	51 350	26 560	3 500				
9	0.8	4	8	1	36	20 680	34 600	32 140	7 000	23 200	8 230	120	460
						33 120	64 480	32 140	3 500				

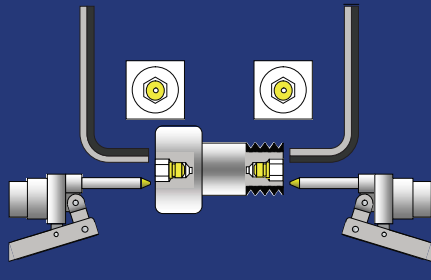
ACCESSORIES

TYPE		
All types	Installed	Attached



CAM FOLLOWERS

HEXAGON SOCKET ON BOTH SIDES
GREASE NIPPLE INSTALLED



CF..AB



CF..VAB

CF..AB TYPE

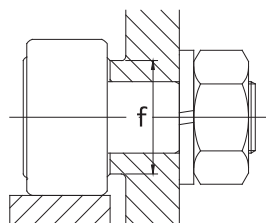
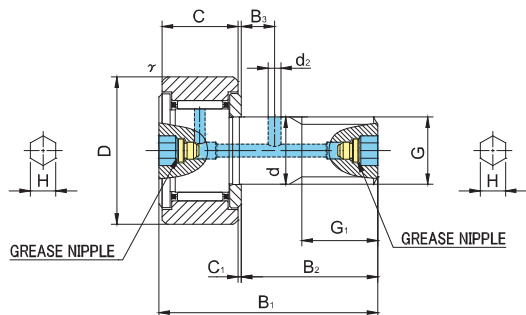
Stud diameter (mm)	h7 tolerance	Designation				Dimensions (mm)							
		Cylindrical outer ring		Crowned outer ring R1000(CF20)		D	C	d	G	G1	B1	B2	
		Without seals	With seals	Without seals	With seals								
20	0 -0.021	CF20-1AB	CF20-1UUAB	CF20-1RAB	CF20-1UURAB	47	24	20	M20×1.5	21	66	40.5	
		CF20-1VAB	CF20-1VUUAB	CF20-1VRAB	CF20-1VUURAB								
24	0 -0.021	CF24AB	CF24UUAB	CF24RAB	CF24UURAB	62	29	24	M24×1.5	25	80	49.5	
		CF24VAB	CF24VUUAB	CF24VRAB	CF24VUURAB								
24	0 -0.021	CF24-1AB	CF24-1UUAB	CF24-1RAB	CF24-1UURAB	72	29	24	M24×1.5	25	80	49.5	
		CF24-1VAB	CF24-1VUUAB	CF24-1VRAB	CF24-1VUURAB								
30	0 -0.021	CF30AB	CF30UUAB	CF30RAB	CF30UURAB	80	35	30	M30×1.5	32	100	63	
		CF30VAB	CF30VUUAB	CF30VRAB	CF30VUURAB								
30	0 -0.021	CF30-1AB	CF30-1UUAB	CF30-1RAB	CF30-1UURAB	85	35	30	M30×1.5	32	100	63	
		CF30-1VAB	CF30-1VUUAB	CF30-1VRAB	CF30-1VUURAB								
30	0 -0.021	CF30-2AB	CF30-2UUAB	CF30-2RAB	CF30-2UURAB	90	35	30	M30×1.5	32	100	63	
		CF30-2VAB	CF30-2VUUAB	CF30-2VRAB	CF30-2VUURAB								

CF..AB TYPE has oil holes (grease nipple) which are prepared in the stud head and thread side, also an oil hole is prepared in the outer surface of stud.

* Without seals, suitable for grease lubrication. In case of oil lubrication, up to 130% of this value shall be permissible, and 70% of this value shall apply for types with seals.

OUTER RINGS TOLERANCE (µm)

TYPE	Cylindrical outer ring	Crowned outer ring
CF10,CF10-1,CF12	0/-9	0/-50
CF12-1,CF16,CF18,CF20-1	0/-11	0/-50
CF20,CF24,CF24-1,CF30	0/-13	0/-50
CF30-1,CF30-2	0/-15	0/-50



Prepacked Grease

						Basic dynamic load rating	Basic static load rating	Largest permissible load	Limiting speed *	Track load capacity		Max tightening torque	Mass
B3	C1	d2	H	r_s min	f min	Cr N	Cor N	N	rpm	Cylindrical outer ring N	Crowned outer ring N	N·m	g (approx)
9	0.8	4	8	1	36	20 680	34 600	32 140	7 000	21 000	7 150	120	385
						33 120	64 480	32 140	3 500				
11	0.8	4	8	1	40	30 480	52 630	49 500	6 500	34 200	10 500	220	815
						46 550	92 020	49 500	3 000				
11	0.8	4	8	1	40	30 480	52 630	49 500	6 500	39 800	12 900	220	1 140
						46 550	92 020	49 500	3 000				
15	1	4	8	1	46	45 370	85 060	73 700	5 000	52 600	14 900	450	1 870
						67 620	144 060	73 700	2 200				
15	1	4	8	1	46	45 370	85 060	73 700	5 000	56 000	16 100	450	2 030
						67 620	144 060	73 700	2 200				
15	1	4	8	1	46	45 370	85 060	73 700	5 000	59 300	17 300	450	2 220
						67 620	144 060	73 700	2 200				

ACCESSORIES

TYPE		
All types	Installed	Attached

