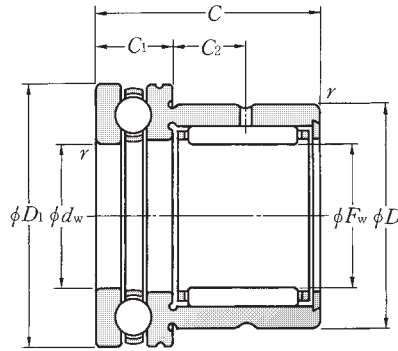
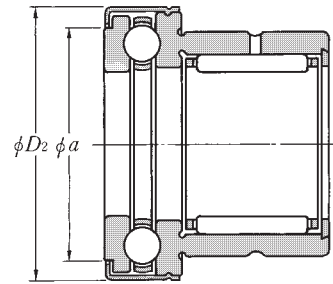


Without inner ring

Type NKX
Type NKX··Z



Type NKX
(Open type)

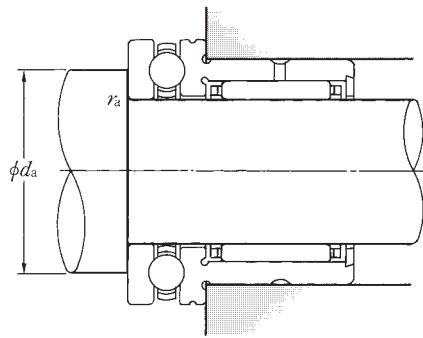


Type NKX··Z
(With cover)

F_w 10~70mm

F_w	Boundary dimensions										Basic load ratings				
	d_w	D	D_1	mm			a	$r_s \text{ min}^1)$	dynamic	static	dynamic	static			
				D_2	C	C_1	C_2			N	Radial	kgf			
					0 -0.25	0 -0.20					C_R	C_{or}	C_R	C_{or}	
10	+0.022 +0.013	10	+0.040 +0.025	19	24	25	23	9	6.5	19.7	0.3	5 450	6 450	555	660
12	+0.027 +0.016	12	+0.050 +0.032	21	26	27	23	9	6.5	21.7	0.3	6 000	7 700	615	785
15	+0.027 +0.016	15	+0.050 +0.032	24	28	29	23	9	6.5	23.7	0.3	8 250	10 200	840	1 040
17	+0.027 +0.016	17	+0.050 +0.032	26	30	31	25	9	8	25.7	0.3	10 400	14 400	1 060	1 460
20	+0.033 +0.020	20	+0.061 +0.040	30	35	36	30	10	10.5	30.7	0.3	16 400	27 100	1 670	2 760
25	+0.033 +0.020	25	+0.061 +0.040	37	42	43	30	11	9.5	37.7	0.6	14 200	24 000	1 450	2 450
30	+0.033 +0.020	30	+0.061 +0.040	42	47	48	30	11	9.5	42.7	0.6	22 300	39 500	2 280	4 000
35	+0.041 +0.025	35	+0.075 +0.050	47	52	53	30	12	9	47.7	0.6	20 000	36 000	2 040	3 650
40	+0.041 +0.025	40	+0.075 +0.050	52	60	61	32	13	10	55.7	0.6	25 900	52 500	2 650	5 350
45	+0.041 +0.025	45	+0.075 +0.050	58	65	66.5	32	14	9	60.5	0.6	27 600	59 000	2 810	6 000
50	+0.041 +0.025	50	+0.075 +0.050	62	70	71.5	35	14	10	65.5	0.6	27 900	62 000	2 850	6 300
60	+0.049 +0.030	60	+0.090 +0.060	72	85	86.5	40	17	12	80.5	1	29 800	71 500	3 050	7 300
70	+0.049 +0.030	70	+0.090 +0.060	85	95	96.5	40	18	11	90.5	1	36 500	86 000	3 700	8 750

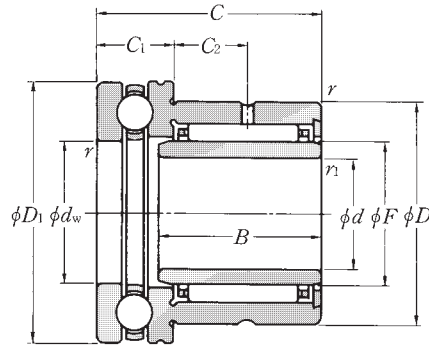
Note 1) Allowable minimum chamfer dimension r_s .



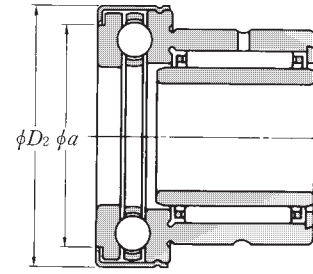
dynamic N	Basic load ratings				Limiting dimensions		Bearing numbers		Abutment dimensions		Mass (approx.)	
	static C_{oa}	dynamic C_a	static C_{oa}	dynamic C_a	grease r/min	oil r/min	Type NKX	Type NKX··Z	d_a min	r_{as} max	Type	Type
											NKX	NKX··Z
10 000	14 000	1 020	1 420	6 700	9 500	NKX10T2	NKX10T2Z	18	0.3	0.037	0.039	
10 300	15 400	1 050	1 570	6 400	9 200	NKX12T2	NKX12T2Z	20	0.3	0.042	0.044	
10 500	16 800	1 070	1 710	6 200	8 800	NKX15T2	NKX15T2Z	23	0.3	0.044	0.048	
10 800	18 200	1 100	1 850	6 000	8 500	NKX17T2	NKX17T2Z	25	0.3	0.051	0.056	
14 200	24 700	1 450	2 520	5 200	7 500	NKX20T2	NKX20T2Z	29	0.3	0.085	0.090	
19 600	37 000	1 990	3 800	4 600	6 500	NKX25T2	NKX25T2Z	35	0.6	0.125	0.132	
20 400	42 000	2 080	4 300	4 300	6 200	NKX30T2	NKX30T2Z	40	0.6	0.140	0.148	
20 400	44 500	2 080	4 550	3 900	5 600	NKX35T2	NKX35T2Z	45	0.6	0.167	0.175	
26 900	63 000	2 740	6 400	3 500	5 000	NKX40	NKX40Z	52	0.6	0.216	0.225	
27 900	69 000	2 840	7 050	3 200	4 600	NKX45	NKX45Z	57	0.6	0.252	0.265	
28 800	75 500	2 930	7 700	3 100	4 500	NKX50	NKX50Z	62	0.6	0.302	0.318	
41 500	113 000	4 200	11 500	2 600	3 700	NKX60	NKX60Z	75	1	0.465	0.484	
43 000	127 000	4 400	12 900	2 400	3 400	NKX70	NKX70Z	85	1	0.612	0.635	

With inner ring

Type NKX+IR
Type NKX·Z+IR



Type NKX+IR
(Open type)



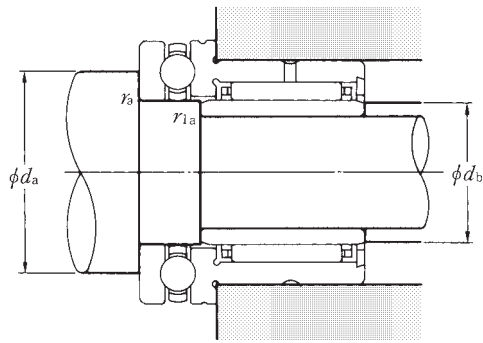
Type NKX·Z+IR
(With cover)

d 7~60mm

Boundary dimensions													Basic load ratings									
d	dw	D	D1	D2	B	C	C1	C2	F	a	rs min ¹⁾	r1s min ¹⁾	dynamic	static	dynamic	static	dynamic	static	dynamic	static		
													Radial				Axial					
													N	N	kgf	kgf	N	N	kgf	kgf		
													Cr	Cor	Cr	Cor	Ca	Coa	Ca	Coa		
7	10	^{+0.040} / _{+0.025}	19	24	25	16	23	9	6.5	10	19.7	0.3	0.3	5 450	6 450	555	660	10 000	14 000	1 020	1 420	
9	12	^{+0.050} / _{+0.032}	21	26	27	16	23	9	6.5	12	21.7	0.3	0.3	6 000	7 700	615	785	10 300	15 400	1 050	1 570	
12	15	^{+0.050} / _{+0.032}	24	28	29	16	23	9	6.5	15	23.7	0.3	0.3	8 250	10 200	840	1 040	10 500	16 800	1 070	1 710	
14	17	^{+0.050} / _{+0.032}	26	30	31	17	25	9	8	17	25.7	0.3	0.3	10 400	14 400	1 060	1 460	10 800	18 200	1 100	1 850	
17	20	^{+0.061} / _{+0.040}	30	35	36	20	30	10	10.5	20	30.7	0.3	0.3	16 400	27 100	1 670	2 760	14 200	24 700	1 450	2 520	
20	25	^{+0.061} / _{+0.040}	37	42	43	20	30	11	9.5	25	37.7	0.6	0.3	14 200	24 000	1 450	2 450	19 600	37 000	1 990	3 800	
25	30	^{+0.061} / _{+0.040}	42	47	48	20	30	11	9.5	30	42.7	0.6	0.3	22 300	39 500	2 280	4 000	20 400	42 000	2 080	4 300	
30	35	^{+0.075} / _{+0.050}	47	52	53	20	30	12	9	35	47.7	0.6	0.3	20 000	36 000	2 040	3 650	20 400	44 500	2 080	4 550	
35	40	^{+0.075} / _{+0.050}	52	60	61	20	32	13	10	40	55.7	0.6	0.3	25 900	52 500	2 650	5 350	26 900	63 000	2 740	6 400	
40	45	^{+0.075} / _{+0.050}	58	65	66.5	20	32	14	9	45	60.5	0.6	0.3	27 600	59 000	2 810	6 000	27 900	69 000	2 840	7 050	
45	50	^{+0.075} / _{+0.050}	62	70	71.5	25	35	14	10	50	65.5	0.6	0.6	27 900	62 000	2 850	6 300	28 800	75 500	2 930	7 700	
50	60	^{+0.090} / _{+0.060}	72	85	86.5	25	40	17	12	60	80.5	1	1	29 800	71 500	3 050	7 300	41 500	113 000	4 200	11 500	
60	70	^{+0.090} / _{+0.060}	85	95	96.5	25	40	18	11	70	90.5	1	1	36 500	86 000	3 700	8 750	43 000	127 000	4 400	12 900	

Note 1) Allowable minimum chamfer dimension r.

Remarks: Nominal code number of inner ring comprises IR. Bore diameter×outer diameter×width.



Limiting dimensions r/min		Bearing numbers		Abutment dimensions mm				Mass (approx.) kg	
grease	oil	Type NKX+IR	Type NKX·Z+IR	d_a min	d_b min	r_{as} max	r_{1as} max	Type NKX+IR	Type NKX·Z+IR
6 700	9 500	NKX10T2+IR 7×10×16	NKX10T2Z+IR 7×10×16	18	9	0.3	0.3	0.042	0.044
6 400	9 200	NKX12T2+IR 9×12×16	NKX12T2Z+IR 9×12×16	20	11	0.3	0.3	0.048	0.050
6 200	8 800	NKX15T2+IR12×15×16	NKX15T2Z+IR12×15×16	23	14	0.3	0.3	0.052	0.056
6 000	8 500	NKX17T2+IR14×17×17	NKX17T2Z+IR14×17×17	25	16	0.3	0.3	0.061	0.066
5 200	7 500	NKX20T2+IR17×20×20	NKX20T2Z+IR17×20×20	29	19	0.3	0.3	0.099	0.104
4 600	6 500	NKX25T2+IR20×25×20	NKX25T2Z+IR20×25×20	35	22	0.6	0.3	0.152	0.159
4 300	6 200	NKX30T2+IR25×30×20	NKX30T2Z+IR25×30×20	40	27	0.6	0.3	0.173	0.181
3 900	5 600	NKX35T2+IR30×35×20	NKX35T2Z+IR30×35×20	45	32	0.6	0.3	0.205	0.213
3 500	5 000	NKX40 +IR35×40×20	NKX40Z +IR35×40×20	52	37	0.6	0.3	0.260	0.269
3 200	4 600	NKX45 +IR40×45×20	NKX45Z +IR40×45×20	57	42	0.6	0.3	0.293	0.316
3 100	4 500	NKX50 +IR45×50×25	NKX50Z +IR45×50×25	62	48	0.6	0.6	0.373	0.389
2 600	3 700	NKX60 +IR50×60×25	NKX60Z +IR50×60×25	75	55	1	1	0.635	0.654
2 400	3 400	NKX70 +IR60×70×25	NKX70Z +IR60×70×25	85	65	1	1	0.814	0.837